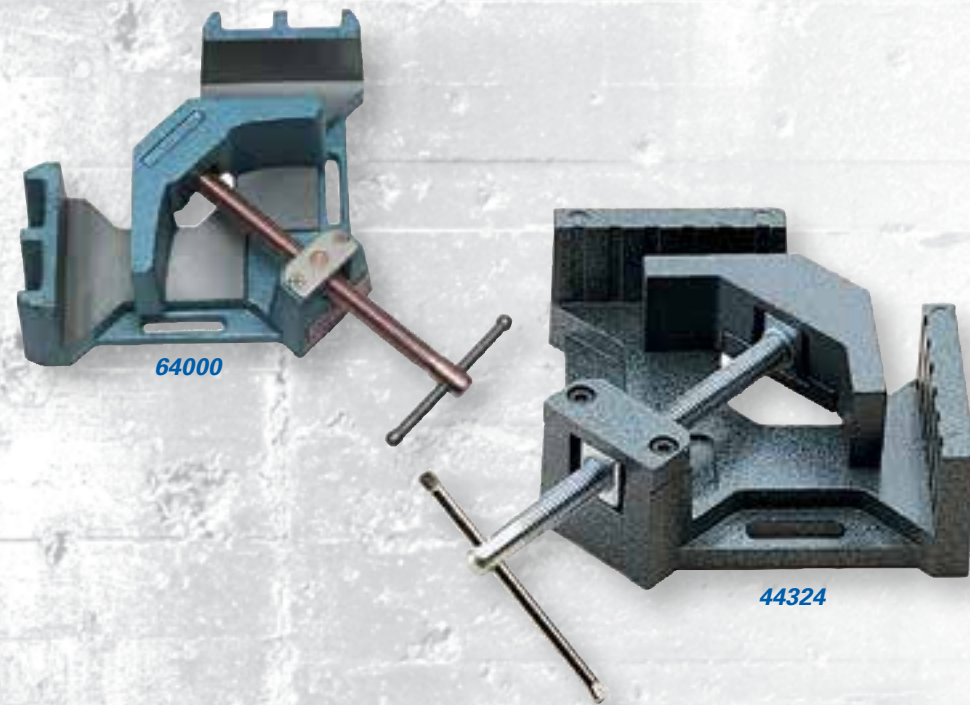


ANGLE CLAMPS

90° CLAMPING



SELF CENTERING JAW



VERSATILE MOUNTING SLOTS



COPPER PLATED SPINDLE
(64000 & 64002 ONLY)

FEATURES

HEAVY DUTY FRAME:

- The 90° angle clamp is made of high-quality cast iron (SKUs 64000 and 64002) or solid aluminum construction (SKU 44324)

VERSATILE MOUNTING SLOTS:

- Slotted holes are provided in the base for convenient workbench mounting

PRECISION:

- Work surfaces (including base) are milled for added precision

IDEAL FOR

- Welding
- Woodworking
- Light Industrial



SPECIALTY CLAMPS



EXTRA DEEP STEEL PIPE CLAMP

- Ideal for any applications where extra deep-reach is required
- Moveable and stationary parts are made of heavy-duty, ductile cast iron for added strength
- Multiple disc clutch provides sliding jaws with instant adjustment, secure hold and quick release
- 2-Piece design universal fit for any 3/4" pipe

REGULAR-DUTY I BAR CLAMPS

- A rapid acting powerful clamp designed and constructed for hard, everyday production work
- Patented, quick action, no slip clutches are 3/4" apart and formed in the web for greater bar strength
- High strength ductile slide cannot slip or bind, easily released
- Steel handle, with comfortable wood crank handle for fast clamping
- Bar dimension is 7/16" x 1-1/2" x 5/32", screw diameter is 5/8"

Stock No.	Pipe Size (in.)	Clamp Face (in.)	Net Weight (lbs.)
EXTRA DEEP PIPE CLAMP			
14870	3/4	2 x 1-3/4	8

Stock No.	Bar Length (ft.)	Throat Depth (in.)	Clamp Face (in.)	Clamping Force (lbs.)	Net Weight (lbs.)
I BAR CLAMPS					
21801	2	1-13/16	1-7/8	6,000	8
21803	3	1-13/16	1-7/8	6,000	8
21804	4	1-13/16	1-7/8	6,000	10
21805	5	1-13/16	1-7/8	6,000	13
21806	6	1-13/16	1-7/8	6,000	14

